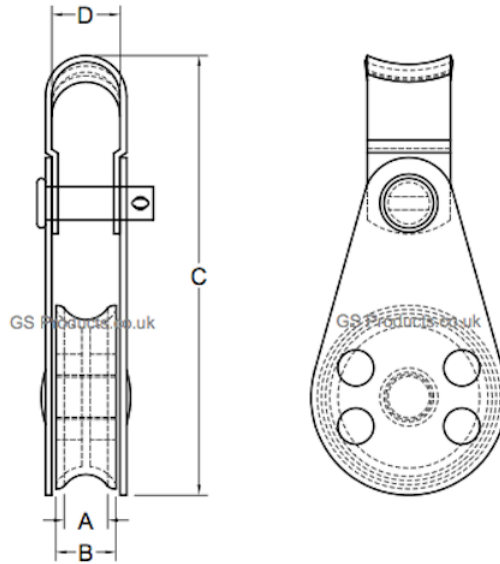




# Stainless Steel Pulley Block Removable Pin and Bracket



| Product  | A (mm) | B (mm) | D (mm) | C (mm) | Breaking Load (Kgs) |
|--|--------|--------|--------|--------|---------------------|
| Stainless Steel Pulley Block Removable Bracket | 8      | 11     | 12     | 59     | 100                 |

Note - Product sizes are liable to change from time to time, if your dimension requirements are critical, please contact us.